

TECH SHEET

Expansion door entry monitor - EX-9000H



The **EX-9000H** is the Additional Internal Unit for Single-User Kits **HFX-9500M**, **HFX-9000M**

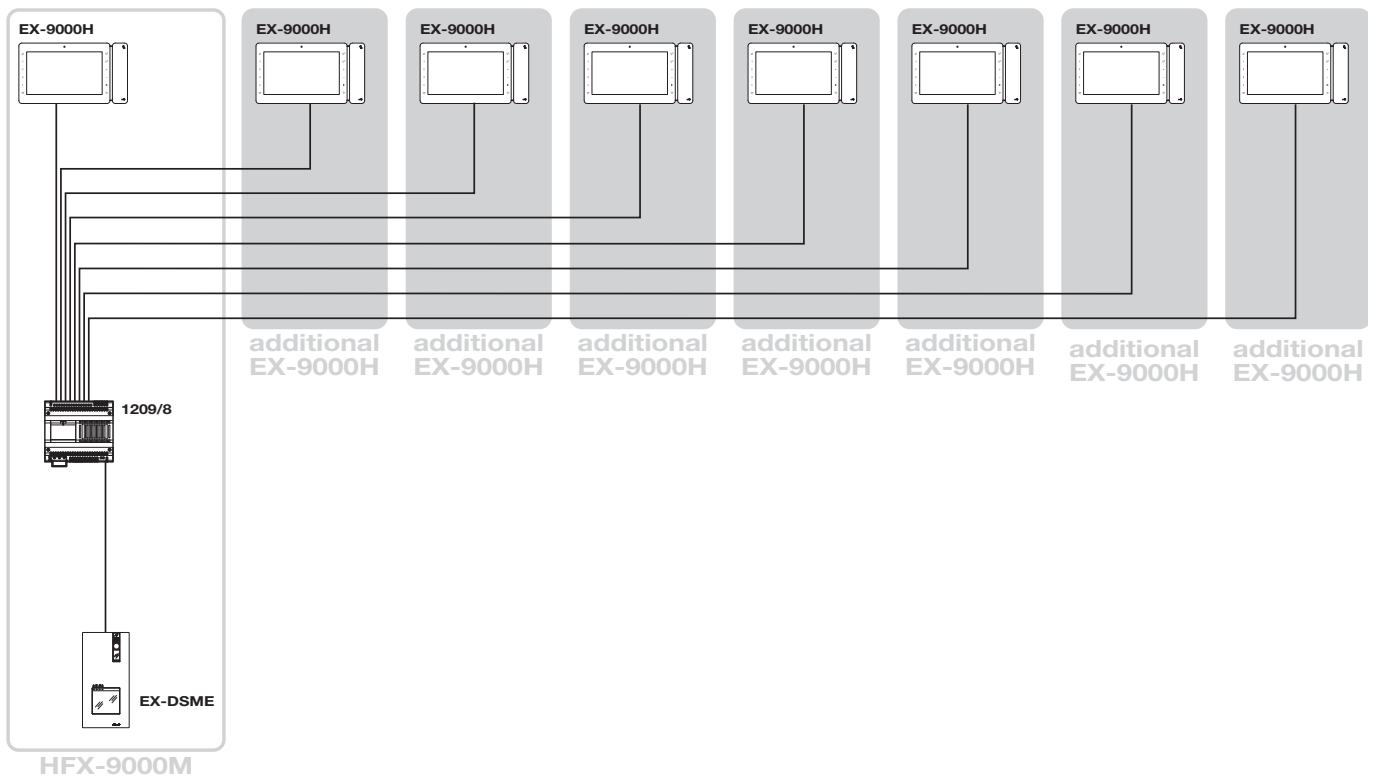
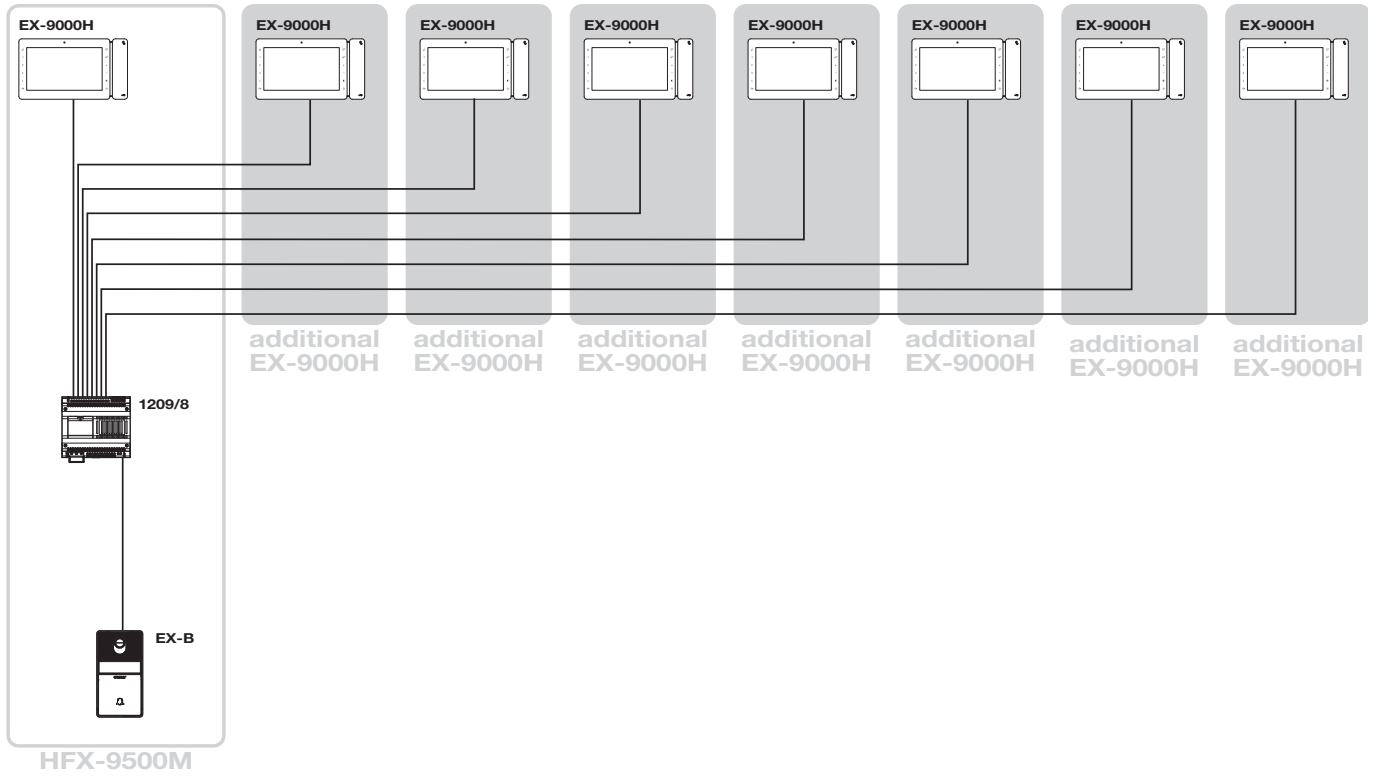


EX-9000H

HANDS-FREE COLOR DOOR ENTRY MONITOR

- *Flush-mounted (accessory for mounting included)*
- *Surface-mounted (accessory for mounting included)*
- *Color monitor with 7" 16:9 Wide-Screen*
- *Hands-free full-duplex audio*
- *Touch sensitive controls.*
- *Adjustment of brightness level, contrast, audio volume and ringtone volume*
- *Customizable ringtones*
- *Fitted as standard with control buttons for lock-release, audio enable/disable and paging call with relative indicator LEDs, plus 6 further buttons for self activation, automatic lock-release (Doctor mode) and other programmable functions.*
- *Manages floor door call and call repetition.*
- *Complete with 2 x 8-position DIP-switches for user code programming and button programming.*

MAXIMUM EXPANSION INTERNAL UNITS FOR KITS



SPECIFICATIONS ART. EX-9000H**DIMENSIONS (WITH BRACKET)**

Width	8.77 in
Height	4.88 in
Depth	0,98 in
Weight	24.5 oz

HARDWARE

Removable terminals	Yes
Buttons	14
Display size (inches)	7
B/W or color display	color screen
Display resolution (H x V)	800x480 pixel
Type of display	LCD
LCD Ratio	16:9 Wide-screen Format

ENVIROMENTAL

Operating Temperature	Class B1 normal range indoor 41° F /104° F (5°C / 40°C)
------------------------------	---

ELECTRICAL SPECIFICATIONS

Maximum current absorption (mA)	400
Power consumption	13 W MAX

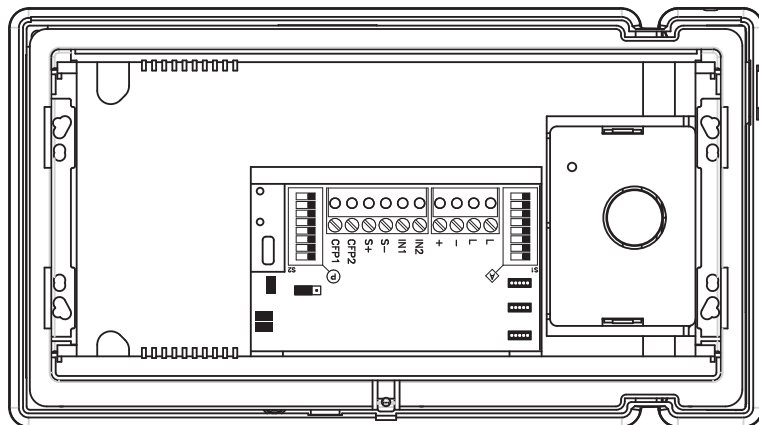
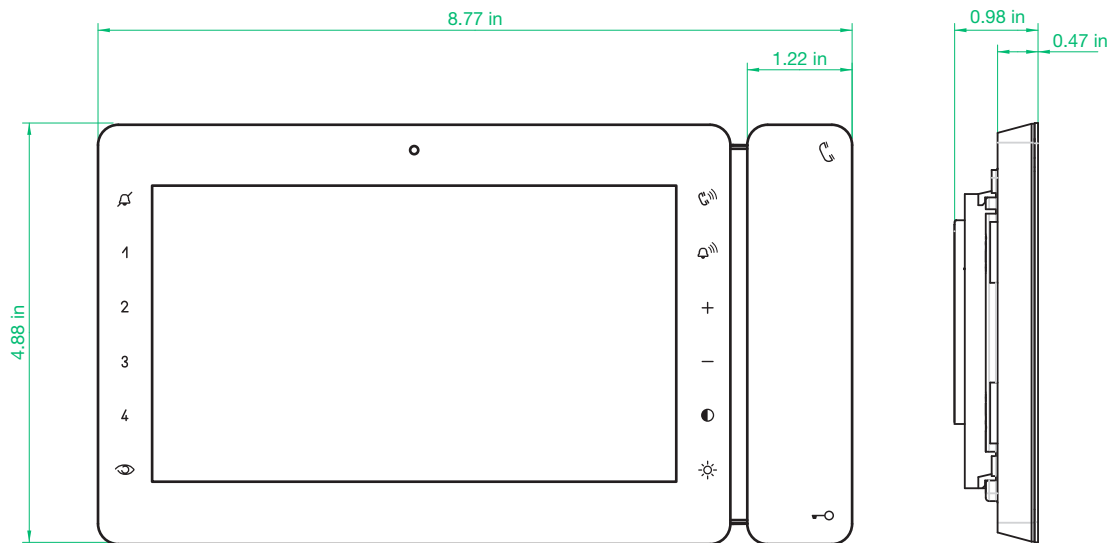
OTHER INFO

Sensitive Touch technology
Surface-mounted
Flush-mounted

FUNCTIONS

Lock-release key function
Floor door call function
Actuator control function
Intercom function (Auto Timer intercom= 300 sec)
Paging function
Self Activation
Automatic lock-release (Doctor mode)
Silent mode (Privacy)
Full Duplex hands-free function
Automatic answer mode
Display brightness control
Display contrast control
Loudspeaker volume control
Ringtone volume control
Customizable ringtone

UNIT DIMENSIONS



CERTIFIED MANAGEMENT SYSTEMS



www.comelitgroup.com

Via Don Arrigoni, 5 - 24020 Rovetta (BG) - Italy



2nd edition - 09/2022
cod. 2G40003010